

COLUMN COLLARS

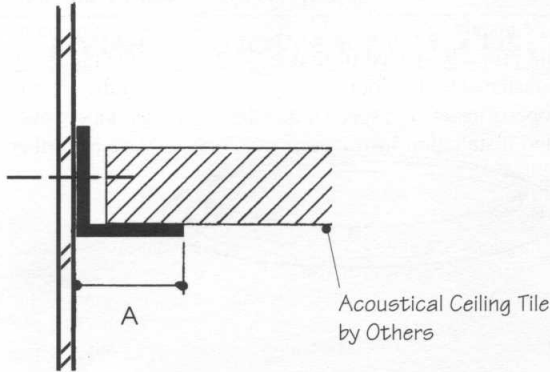
Pre-fitted and Factory Finished

SAMPLE SPECIFICATION

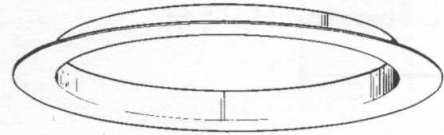
Specify as: PITCON COLUMN COLLAR
Model # _____

Column Collars are fabricated in two oversize halves allow for field adjustment during installation. For drywall ceiling conditions, the formed profiles will be provided with a primer compatible with joint compound, latex and enamel paints, etc. Column Collars for acoustical ceiling conditions are supplied with Pittcon standard white finish to match ceiling grid color. Custom colors are available.

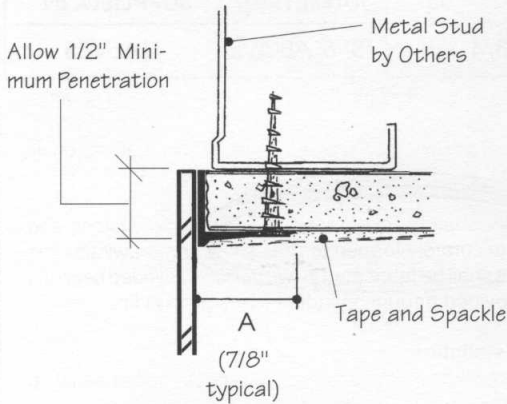
For Acoustical Ceilings-No Reveal



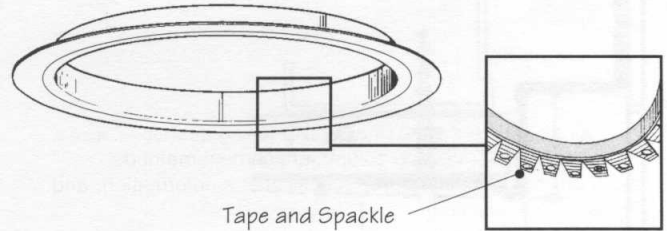
CAT. NO.	A	DIAMETERS	SUPPLIED IN
PAC-1516	15/16"	12" & ABOVE	HALVES



For Drywall Ceilings-No Reveal



CAT. NO.	A	DIAMETERS	SUPPLIED IN
PDC-1516	7/8" Typ	7" & ABOVE	HALVES



All details, methods and specifications are the exclusive property of Pittcon Industries, Division of Pittcon Architectural Metals, LLC. Pittcon reserves the right to change any specifications or details without prior notification. Other profiles are available as special order items. For custom shapes, sizes, or for special finishes, please contact the factory or your nearest Pittcon sales representative.

**Pittcon
Industries**

DIVISION OF PITCON ARCHITECTURAL METALS, LLC

CC-9

COLUMN COLLARS

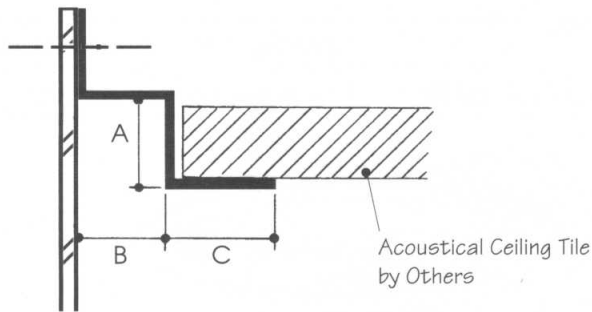
Pre-fitted and Factory Finished

SAMPLE SPECIFICATION

Specify as: PITCON COLUMN COLLAR
Model # _____

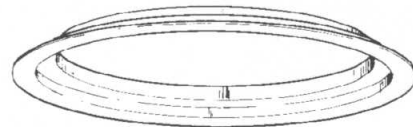
Column Collars are fabricated in two oversize halves allow for field adjustment during installation. For drywall ceiling conditions, the formed profiles will be provided with a primer compatible with joint compound, latex and enamel paints, etc. Column Collars for acoustical ceiling conditions are supplied with Pittcon standard white finish to match ceiling grid color. Custom colors are available.

For Acoustical Ceilings-With Reveal

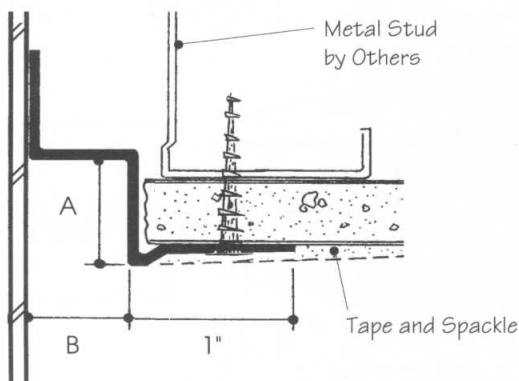


ALL OF THE COLLARS BELOW COME IN STANDARD FINISHES

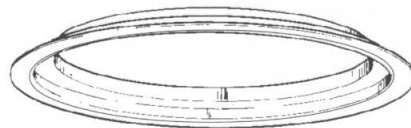
CAT. NO.	A	B	C	DIAMETERS	SUPPLIED IN
PACR-7575	3/4"	3/4"	15/16"	18" & ABOVE	HALVES



For Drywall Ceilings-With Reveal



CAT. NO.	A	B	C	DIAMETERS	SUPPLIED IN
PDCR-7575	3/4"	3/4"	1"	18" & ABOVE	HALVES



Pitcon Industries Division Pitcon Architectural Metals, LLC

6409 Rhode Island Avenue
Riverdale, Maryland 20737
(800) 637-7638 , (301) 927-1000
Fax: (301) 699-8690

3330 W. Flower Street
Phoenix, Arizona 85017
(800) 637-7638 , (602) 233-9100
Fax: (602) 233-9400